

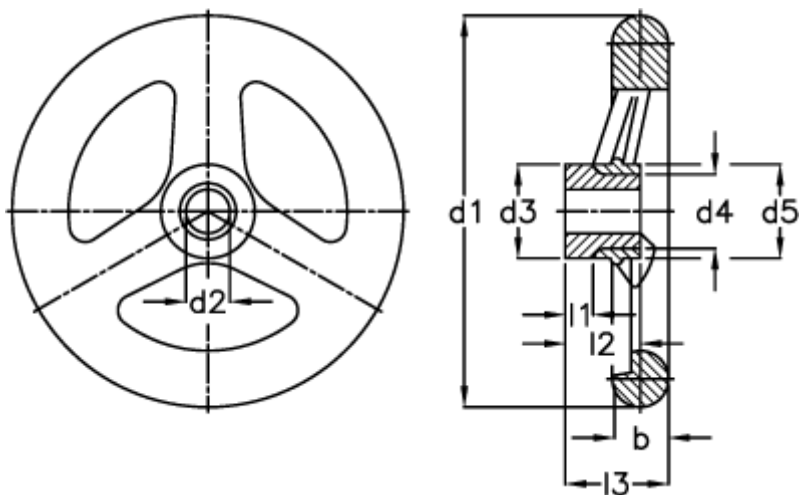
Data Sheet



Article number: 20330280

Description: E+G Handwheel
GN 555-100-K10-A

Measures



b	= 15	$l2 - 0.5$	= 22
d1	= 100	$l3$	= 26
d2 H7	= 12	Number of spokes = 3	
d2 H7	= 10		
d3	= 24		
d4	= 18		
d5	= 28		
$l1 - 0.5$	= -		